

onkron®

2022 | 2023



ONKRON® Product Catalog

Designed to support

Our clients inspire us to strive for meaningful innovations on a daily basis.

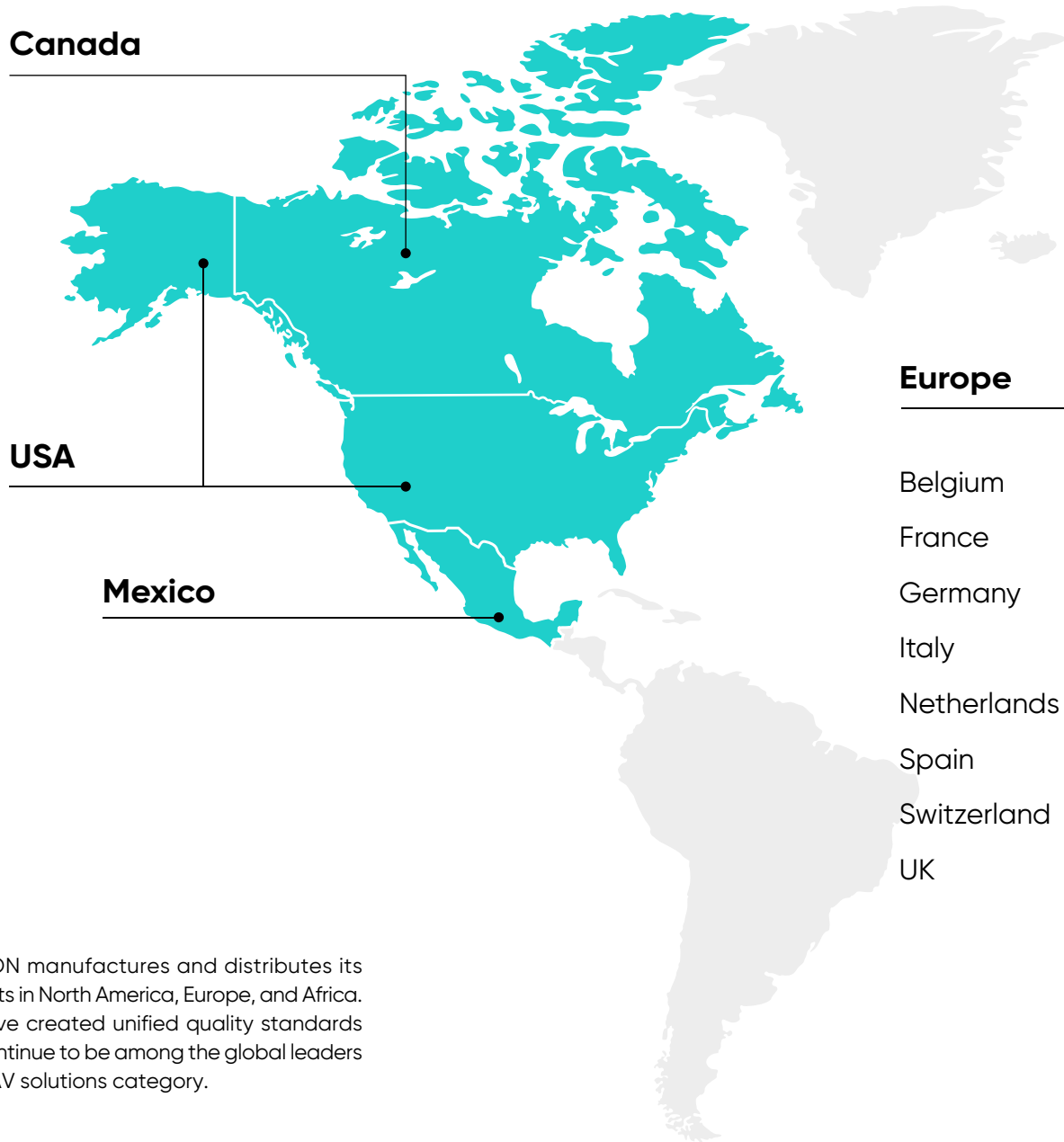
ONKRON is a global leader in residential and business space organization. We design and manufacture wall mounts and mobile stands for televisions, monitors, and digital panels. Customers from North America, Europe, and Africa know and love our brand. Half a million clients across the world choose our products every year.

ONKRON stands for a highly effective manufacturing culture, international quality standards, and stellar customer service. In-house experimental design bureau, manufacturing locations, logistics distribution centers, as well as an international team of highly motivated and engaged individuals help us create the best products.

ONKRON is the first brand in the premium mass market segment. Modern design, exceptional reliability and outstanding performance distinguish our products from the rest. Every model, created with the customer in mind, meets and exceeds the most exacting expectations.

ONKRON is an example of utmost professionalism. We are trusted by regular shoppers as well as corporate buyers. Our goal is to help create a productive, creative and comfortable environment both in the office and at home. Among our clients are school districts and healthcare facilities, stadiums and restaurants, entertainment venues and transit hubs. ONKRON solutions are used at NASA, Boeing, Eton College, Ubisoft, Blizzard, and even in the US Capitol Visitor Center.

Our clients choose solutions they can rely on.



ONKRON manufactures and distributes its products in North America, Europe, and Africa. We have created unified quality standards and continue to be among the global leaders in the AV solutions category.







In-house design bureau



Why ONKRON?

"Smart" solutions for every day

Each of our models is the result of joint efforts of engineers, designers, product managers, marketing experts and other team members. We focus our innovations on solving specific customer problems. ONKRON mounts and stands allow you to work, study and relax wherever you want.

Reliability and durability

Our products are designed to meet the most stringent standards of safety, strength and durability. We take pride in our organizational culture and attention to detail. ONKRON mounts and stands are made of high-quality modern materials and painted with a wear-resistant polymer coating which prevents chipping and scratches. Each model undergoes multilevel quality control, including a triple load test.

Minimalist ergonomic design

ONKRON mounts and stands can be used as bright accents in your home décor or remain completely invisible. A variety of color choices opens up room for creativity. Whichever model you choose, it will be an ergonomic solution completely in sync with your space's functionality and style.

Quick and easy installation

ONKRON products are very easy to assemble, even for those who attempt such an endeavor for the first time. Most of our models come with a handy drilling template, a built-in level, and step-by-step instructions. Should you still need our help or if you are buying a product from our professional line, we can arrange a turnkey installation service.

Universal compatibility

ONKRON mounts are compatible with 98% of monitors and TVs, including the largest and heaviest models made by the most popular electronic companies. Our main customers are integrators and the corporate sector.

Floor TV stands	14
Motorized TV stands	
Mobile TV stands	
Floor TV stands for home	
Tabletop TV stands	42
Monitor arms	46
Adaptive	
Monitor arms with mechanical height adjustment	
TV wall mounts	68
Full-motion	
Adaptive	
Tilting	
Fixed	
Ceiling mounts	104
Ergonomic desks	110
Gas spring	
Electric	
Professional	126
ONKRON Professional series products	



TS1380 Black | Mobile TV stand
for 50"-83" TVs and touch screens

Floor TV stands

A modern alternative to wall mounts. A portable TV stand allows you to move the TV from one room to another, provides a wide range of viewing angles and height adjustment possibilities. ONKRON stands are quick and easy to assemble without any tools.

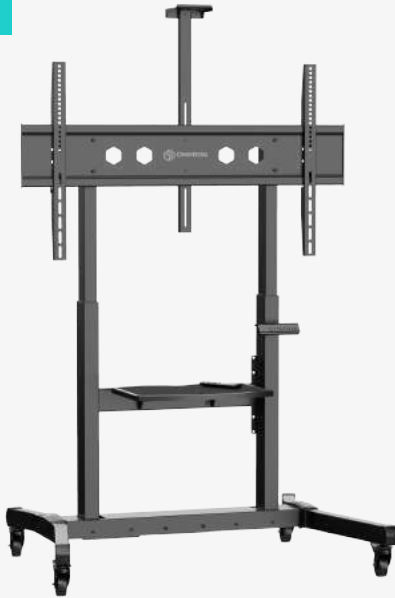


TS2210 Black | Motorized TV lift rolling TV stand
for 55"-100" TVs

Motorized TV stands

Mobile stands for TVs and touch screens with motorized height adjustment using a remote control.

New

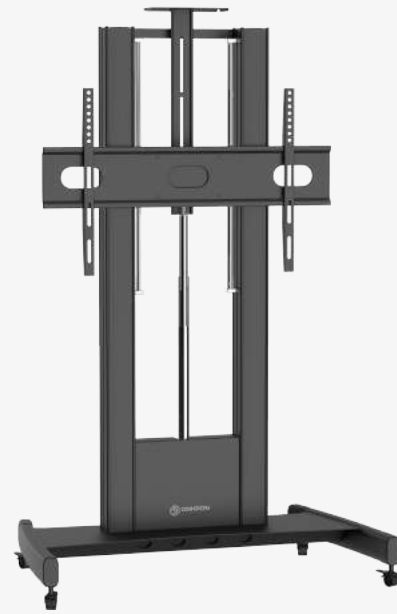


Motorized TV lift rolling TV stand

Black

TS1991 eLift up to 100"

TV diagonal	50" - 100"
Max load	286 lbs
VESA	200x200 - 1000x600
Tilt	-5° ~ +5°
Height adjustment	43.3 in - 62 in
Material	Steel



Motorized TV lift rolling TV stand

Black

TS2210 up to 100"

TV diagonal	55" - 100"
Max load	300 lbs
VESA	200x200 - 1000x600
Height adjustment	48.4 in - 67.8 in
Material	Aluminum, steel

New



Motorized TV lift rolling TV stand



Black

TS1881 eLift up to 86"

TV diagonal	50" - 86"
Max TV weight	200 lbs
Max aggregate load	231 lbs
VESA	200x200 - 800x500
Height adjustment	53.1 in - 64.9 in
Material	Steel

TS1881 eLift Black

Motorized TV lift rolling TV stand
for 50"-86" TVs



TS2771 Black | Mobile TV stand
for 50"-82" TVs

Mobile TV stands

Portable stands for TVs and touch screens, indispensable for presentations, video conferencing, or watching TV at home or outside on a patio.

Bestseller



Mobile TV stand



Black

TS2811 _____ up to 100"

TV diagonal	60" - 100"
Max TV weight	300 lbs
Max aggregate load	325 lbs
VESA	200x200 - 1000x600
Height adjustment	54.7 in - 68.5 in
Material	Aluminum, steel

TS2811 Black

Mobile TV stand
for 60"-100" TVs

Bestseller



Mobile TV stand

Black

TS2771 _____ up to 82"

TV diagonal	50" - 82"
Max TV weight	122 lbs
Max aggregate load	143 lbs
VESA	200x200 - 700x400
Height adjustment	37.4 in - 62.9 in
Material	Aluminum, steel

New



Mobile TV stand with soundbar mount

Black

TS2770S _____ up to 82"

TV diagonal	50" - 82"
Max TV weight	122 lbs
Max aggregate load	143 lbs
VESA	200x200 - 700x400
Height adjustment	37.4 in - 62.9 in
Material	Aluminum, steel

New



Mobile TV stand

Black

TS2561 _____ up to 75"

TV diagonal	40" - 75"
Max TV weight	110 lbs
Max aggregate load	119 lbs
VESA	100x100 - 600x400
Tilt	-5° ~ +20°
Swivel	-20° ~ +20°
Height adjustment	38.2 in - 59 in
Screen rotation	-95° ~ +5°
Material	Aluminum, steel



Mobile TV stand

Black

TS2551 _____ up to 60"

TV diagonal	32" - 60"
Max TV weight	66 lbs
Max aggregate load	70.5 lbs
VESA	100x100 - 600x400
Height adjustment	37 in - 58 in
Material	Aluminum, steel



TS2561 Black | Mobile TV stand
for 40"-75" TVs

New



Mobile TV stand

Black

TS1991 _____ up to 100"

TV diagonal	50" – 100"
Max TV weight	265 lbs
Max aggregate load	286 lbs
VESA	200x200 – 1000x600
Tilt	-5° ~ +5°
Height adjustment	48.4 in – 66.1 in
Material	Steel



TS1991 Black

Mobile TV stand
for 50"-100" TVs and screens

Bestseller



Mobile stand for two TVs



Mobile stand for two TVs

Black

TS1881DV _____ up to 65"

TV diagonal	40" – 65" (x2)
Max TV weight	100 lbs (x2)
Max aggregate load	231 lbs
VESA	200x200 – 800x500
Height adjustment	53.1 in – 64.9 in
Material	Steel

White

TS1881DV _____ up to 65"

TV diagonal	40" – 65" (x2)
Max TV weight	100 lbs (x2)
Max aggregate load	231 lbs
VESA	200x200 – 800x500
Height adjustment	53.1 in – 64.9 in
Material	Steel

Bestseller



Mobile TV stand

Black

TS1881 _____ up to 86"

TV diagonal	50" - 86"
Max TV weight	200 lbs
Max aggregate load	231 lbs
VESA	200x200 - 800x500
Height adjustment	53.1 in - 64.9 in
Material	Steel



Mobile TV stand

White

TS1881 _____ up to 86"

TV diagonal	50" - 86"
Max TV weight	200 lbs
Max aggregate load	231 lbs
VESA	200x200 - 800x500
Height adjustment	53.1 in - 64.9 in
Material	Steel

New



Mobile TV stand
for TVs and touch screens

Black

TS1380 up to 83"

TV diagonal	50" - 83"
Max TV weight	154 lbs
Max aggregate load	163 lbs
VESA	200x200 - 800x500
Tilt	0° ~ +90°
Height adjustment	34.6 in - 47.2 in
Material	Steel



Mobile TV stand
for TVs and touch screens

Black

TS1350 up to 70"

TV diagonal	32" - 70"
Max TV weight	100 lbs
Max aggregate load	108 lbs
VESA	100x100 - 600x400
Tilt	0° ~ +90°
Height adjustment	34.6 in - 39.7 in
Material	Steel

Bestseller



Mobile TV stand

Black

TS1552 _____ up to 70"

TV diagonal	40" – 70"
Max TV weight	100 lbs
Max aggregate load	133 lbs
VESA	100x100 – 600x400
Height adjustment	47.2 in – 59 in
Material	Steel



Mobile TV stand

White

TS1552 _____ up to 70"

TV diagonal	40" – 70"
Max TV weight	100 lbs
Max aggregate load	133 lbs
VESA	100x100 – 600x400
Height adjustment	47.2 in – 59 in
Material	Steel

New



Mobile TV stand

Black

TS1551R _____ up to 70"

TV diagonal	40" - 70"
Max TV weight	100 lbs
Max aggregate load	133 lbs
Tilt	-5° ~ +5°
Swivel	-20° ~ +20°
VESA	100x100 - 600x400
Height adjustment	47.2 in - 59 in
Screen rotation	-95° ~ +5°
Material	Steel



TS1551R Black

Mobile TV stand
for 40"-70" TVs

Bestseller



Mobile TV stand

Black

TS1551 _____ up to 70"

TV diagonal	40" - 70"
Max TV weight	100 lbs
Max aggregate load	122 lbs
VESA	100x100 - 600x400
Height adjustment	47.2 in - 59 in
Material	Steel



TS1551 Red

Mobile TV stand
for 40"-70" TVs

New



Mobile TV stand



Mobile TV stand

Red

TS1551 _____ up to 70"

TV diagonal	40" - 70"
Max TV weight	100 lbs
Max aggregate load	122 lbs
VESA	100x100 - 600x400
Height adjustment	47.2 in - 59 in
Material	Steel

Blue

TS1551 _____ up to 70"

TV diagonal	40" - 70"
Max TV weight	100 lbs
Max aggregate load	122 lbs
VESA	100x100 - 600x400
Height adjustment	47.2 in - 59 in
Material	Steel

New



Mobile TV stand

Black

TS1351R _____ up to 65"

TV diagonal	32" - 65"
Max TV weight	100 lbs
Max aggregate load	110 lbs
Swivel	-20° ~ +20°
Tilt	-5° ~ +5°
VESA	100x100 - 600x400
Height adjustment	47.2 in - 59 in
Screen rotation	-95° ~ +5°
Material	Steel

Bestseller



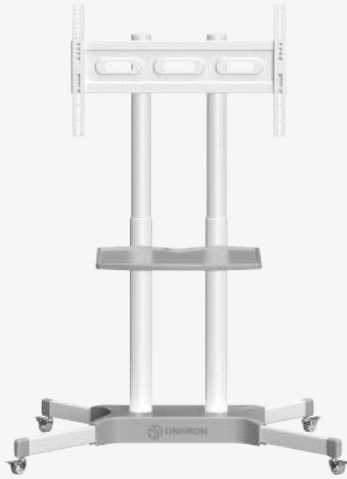
Mobile TV stand

Black

TS1351 _____ up to 65"

TV diagonal	32" - 65"
Max TV weight	100 lbs
Max aggregate load	110 lbs
VESA	100x100 - 600x400
Height adjustment	47.2 in - 59 in
Material	Steel

New



Mobile TV stand



Mobile TV stand

White

TS1351 _____ up to 65"

TV diagonal	32" - 65"
Max TV weight	100 lbs
Max aggregate load	110 lbs
VESA	100x100 - 600x400
Height adjustment	47.2 in - 59 in
Material	Steel

Black

TS1171 _____ up to 60"

TV diagonal	32" - 60"
Max load	90 lbs
Tilt	-5° ~ +20°
Swivel	-42° ~ +42°
VESA	100x100 - 400x400
Height adjustment	39.5 in - 61 in
Screen rotation	-95° ~ +5°
Material	Steel



TS5551 Black | Floor TV stand
for 32"-75" TVs

Floor TV stands for home

TV stands that can become a bright accent in your home and highlight the aesthetics of your living space.

New



Floor TV stand

Black

TS5551 _____ up to 75"

TV diagonal	32" - 75"
Max TV weight	110 lbs
Max aggregate load	121 lbs
Tilt	-5° ~ +20°
Swivel	-20° ~ +20°
VESA	100x100 - 600x400
Height adjustment	37 in - 55.1 in
Screen rotation	-95° ~ +5°
Material	Tempered glass, aluminum

Bestseller



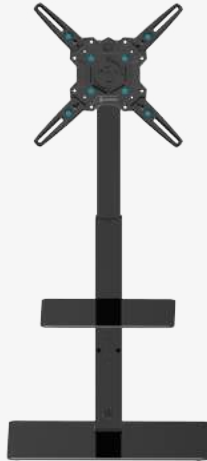
Floor TV stand

Black

TS5550 _____ up to 65"

TV diagonal	32" - 65"
Max TV weight	66 lbs
Max aggregate load	88 lbs
Swivel	-25° ~ +25°
VESA	100x100 - 600x400
Height adjustment	43.1 in - 50.1 in
Material	Tempered glass, steel

New



Floor TV stand

Black

TS5040 up to 65"

TV diagonal	32" - 65"
Max TV weight	66 lbs
Max aggregate load	77 lbs
Tilt	-5° ~ +20°
Swivel	-42° ~ +42°
VESA	100x100 - 400x400
Height adjustment	39.5 in - 53.1 in
Screen rotation	-95° ~ +5°
Material	Tempered glass, steel

New



Floor TV stand

Black

TS5065 up to 60"

TV diagonal	30" - 60"
Max load	90.3 lbs
VESA	100x100 - 400x400
Swivel	-54° ~ +54°
Material	Tempered glass, steel

Bestseller



Floor TV stand

Black

TS1220 _____ up to 65"

TV diagonal	32" - 65"
Max load	77 lbs
VESA	100x100 - 400x400
Swivel	360°
Height adjustment	27.5 in - 47.2 in
Material	Wood, steel

Bestseller



Floor TV stand

White

TS1220 _____ up to 65"

TV diagonal	32" - 65"
Max load	77 lbs
VESA	100x100 - 400x400
Swivel	360°
Height adjustment	27.5 in - 47.2 in
Material	Wood, steel



TS1220 White | Floor TV stand
for 32"-65" TVs

Floor TV stand | **ONKRON**

40



PT3 Black | Tabletop TV stand
for 32"-75" TVs



Tabletop TV stands

Replacement for standard TV base.
Allows to place the TV even on small surfaces.



New



Tabletop TV stand

Black

PT3 _____ up to **75"**

TV diagonal	32" - 75"
Max load	88 lbs
VESA	100x100 - 400x400
Swivel	-54° ~ +54°
Height adjustment	1.5 in - 22.1 in
Material	Tempered glass, steel

Bestseller



Tabletop TV stand

Black

PT2 _____ up to **65"**

TV diagonal	32" - 65"
Max load	77 lbs
VESA	100x100 - 400x400
Swivel	-180° ~ +180°
Height adjustment	1.5 in - 22.1 in
Material	Tempered glass, steel



Tabletop TV stand

Black

PT1 _____ up to **55"**

TV diagonal	26" - 55"
Max load	66 lbs
VESA	75x75 - 400x400
Height adjustment	23.3 in - 26.5 in
Material	Tempered glass, steel



PT1 Black

Tabletop TV stand
for 26"-55" TVs



G70 Black | Desktop monitor arm
for 13"-34" screens



Monitor arms

Designed to maximize the efficiency of the work surface. Wide adjustment possibilities – adjust the height of the monitor, tilt or swivel it to achieve the best viewing angle. Save valuable desk space by utilizing the cable management system.



G200 Black | Dual monitor arm
for two 13"-32" screens

Adaptive

Gas spring monitor arms that adapt to your needs. Viewing height and angle are easily adjusted with no tools by moving the screen to desired position.



Desktop monitor mount for three screens

Black

G280 _____ up to 32"

Screen diagonal	13" - 32"
Max load	2.2 lbs - 17.6 lbs (x3)
VESA	75x75, 100x100
Tilt	-35° ~ +35°
Swivel	180°
Distance from base	0 in - 27.3 in
Height adjustment	0 in - 25.5 in



Desktop monitor mount for two screens

Black

G140 _____ up to 32"

Screen diagonal	13" - 32"
Max load	12.2 lbs - 17.6 lbs (x2)
VESA	75x75, 100x100
Tilt	-35° ~ +35°
Swivel	360°
Distance from base	0 in - 21 in
Height adjustment	0 in - 27.1 in



Desktop monitor mount for two screens

Black

G200 up to 32"

Screen diagonal	13" - 32"
Max load	2.2 lbs - 19.8 lbs (x2)
VESA	75x75, 100x100
Tilt	-90° ~ +90°
Swivel	270°
Distance from base	0 in - 23.8 in
Height adjustment	6.6 in - 19.8 in



Desktop monitor mount for two screens

White

G200 up to 32"

Screen diagonal	13" - 32"
Max load	2.2 lbs - 19.8 lbs (x2)
VESA	75x75, 100x100
Tilt	-90° ~ +90°
Swivel	270°
Distance from base	0 in - 23.8 in
Height adjustment	6.6 in - 19.8 in



Desktop monitor mount for two screens

Black

G160 _____ up to 32"

Screen diagonal	13" - 32"
Max load	4.4 lbs - 17.6 lbs (x2)
VESA	75x75, 100x100
Tilt	-45° ~ +90°
Swivel	180°
Distance from base	0 in - 18.5 in
Height adjustment	6.6 in - 16.1 in

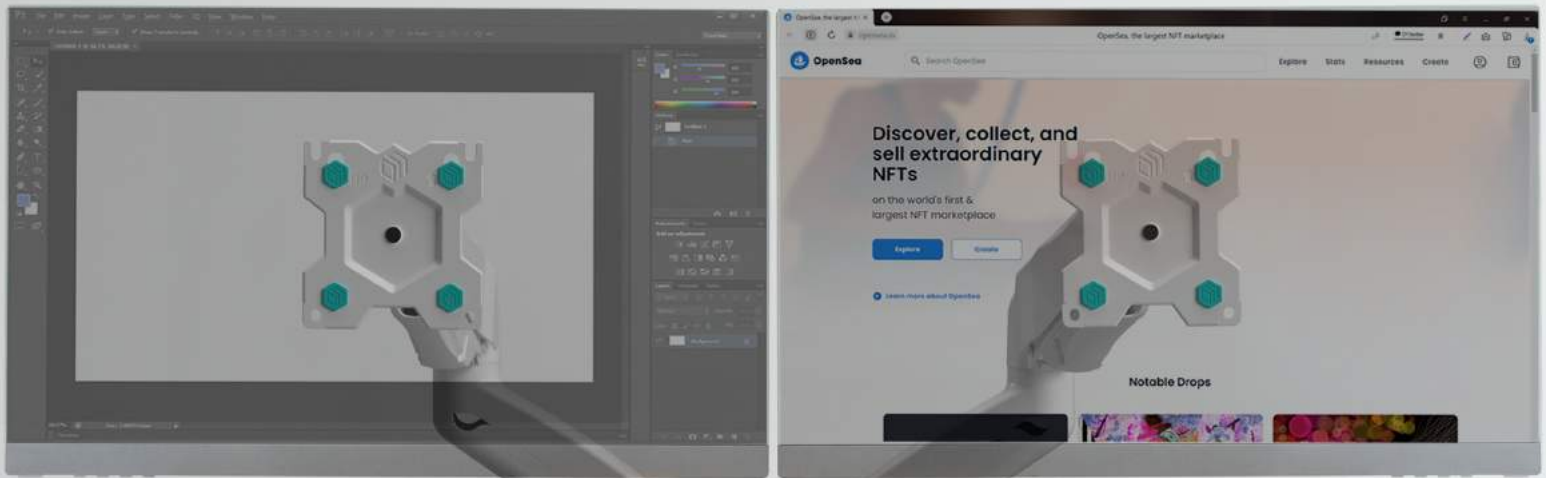


Desktop monitor mount for two screens

White

G160 _____ up to 32"

Screen diagonal	13" - 32"
Max load	4.4 lbs - 17.6 lbs (x2)
VESA	75x75, 100x100
Tilt	-45° ~ +90°
Swivel	180°
Distance from base	0 in - 18.5 in
Height adjustment	6.6 in - 16.1 in



G160 White | Dual monitor arm
for two 13"-32" screens



VESA adapter for monitor arm

Black

A2G

Compatible with VESA

75x75, 100x100

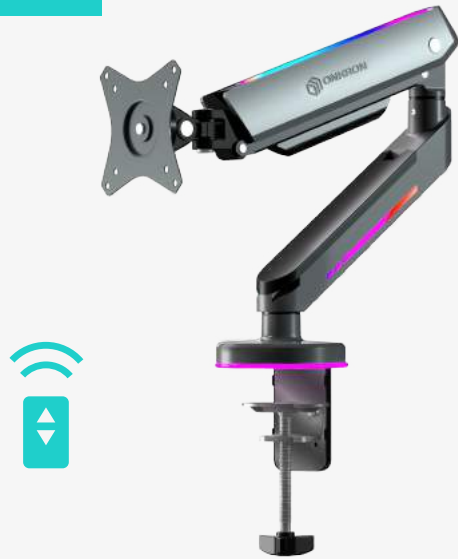
Converts screen's VESA to

100x200 - 200x200



GM25 Grey | Monitor arm with RGB lighting
for 13"-34" screens

New



Monitor arm with RGB lighting

Grey

GM25 _____ up to 34"

Screen diagonal	13" - 34"
Max load	4.4 lbs - 19.8 lbs
VESA	75x75, 100x100
Tilt	-40° ~ +40°
Swivel	360°
Distance from base	0 in - 21.8 in
Height adjustment	6.9 in - 18.1 in

New



Monitor arm with RGB lighting

White

GM25 _____ up to 34"

Screen diagonal	13" - 34"
Max load	4.4 lbs - 19.8 lbs
VESA	75x75, 100x100
Tilt	-40° ~ +40°
Swivel	360°
Distance from base	0 in - 21.8 in
Height adjustment	6.9 in - 18.1 in



ONKRON

GM25 White | Monitor arm with RGB lighting
for 13"-34" screens



Desktop monitor mount



Desktop monitor mount

Black

G100 _____ up to 32"

Screen diagonal	13" - 32"
Max load	2.2 lbs - 19.8 lbs
VESA	75x75, 100x100
Tilt	-45° ~ +90°
Swivel	270°
Distance from base	0 in - 23.8 in
Height adjustment	6.6 in - 19.8 in

White

G100 _____ up to 32"

Screen diagonal	13" - 32"
Max load	2.2 lbs - 19.8 lbs
VESA	75x75, 100x100
Tilt	-45° ~ +90°
Swivel	270°
Distance from base	0 in - 23.8 in
Height adjustment	6.6 in - 19.8 in

New



Desktop monitor mount

Black

G90 _____ up to **34"**

Screen diagonal	13" - 34"
Max load	4.4 lbs - 22 lbs
VESA	75x75, 100x100
Tilt	-90° ~ +45°
Swivel	360°
Distance from base	0 in - 21.6 in
Height adjustment	7.6 in - 17.5 in



Desktop monitor mount

Black

G70 _____ up to **34"**

Screen diagonal	13" - 34"
Max load	2.2 lbs - 17.6 lbs
VESA	75x75, 100x100
Tilt	-35° ~ +35°
Swivel	360°
Distance from base	0 in - 21 in
Height adjustment	0 in - 23.6 in

Bestseller



Desktop monitor mount



Desktop monitor mount

Black

G80 _____ up to **32"**

Screen diagonal	13" - 32"
Max load	4.4 lbs - 17.6 lbs
VESA	75x75, 100x100
Tilt	-45° ~ +90°
Swivel	180°
Distance from base	0 in - 18.5 in
Height adjustment	6.6 in - 16.1 in

White

G80 _____ up to **32"**

Screen diagonal	13" - 32"
Max load	4.4 lbs - 17.6 lbs
VESA	75x75, 100x100
Tilt	-45° ~ +90°
Swivel	180°
Distance from base	0 in - 18.5 in
Height adjustment	6.6 in - 16.1 in

New



Desktop monitor mount

Black & White

G80 _____ up to 32"

Screen diagonal	13" - 32"
Max load	4.4 lbs - 17.6 lbs
VESA	75x75, 100x100
Tilt	-45° ~ +90°
Swivel	180°
Distance from base	0 in - 18.5 in
Height adjustment	6.6 in - 16.1 in

New

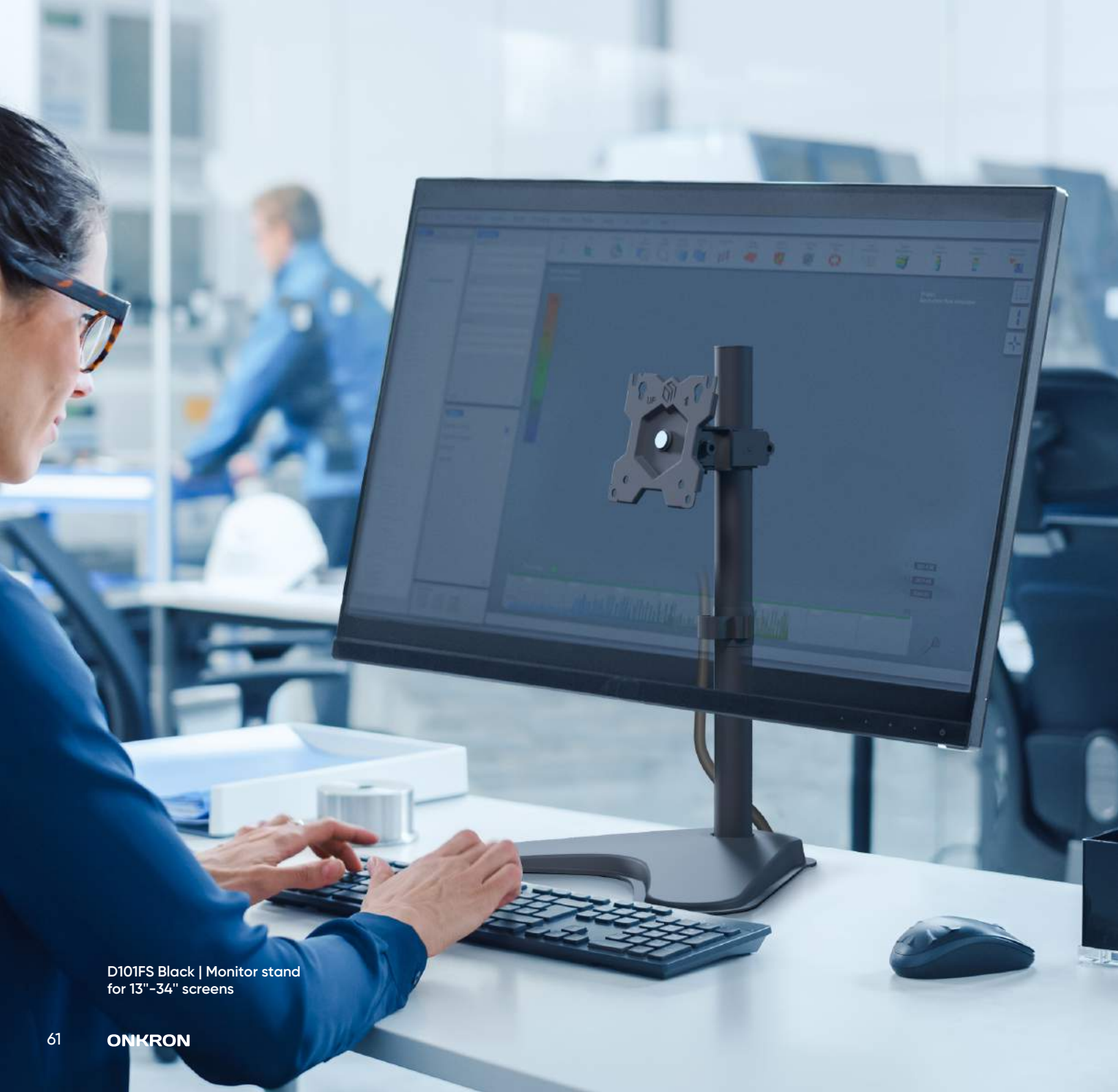


Desktop monitor mount

Black

G50 _____ up to 32"

Screen diagonal	13" - 32"
Max load	2.2 lbs - 17.6 lbs
VESA	75x75, 100x100
Tilt	-90° ~ +45°
Swivel	360°
Distance from base	0 in - 20.6 in
Height adjustment	7.5 in - 17.1 in



D101FS Black | Monitor stand
for 13"-34" screens

Monitor arms with mechanical height adjustment

Simple functional desktop mounts for monitors.
Convenient height adjustment and viewing
angle regulation capabilities.

Bestseller



Desktop monitor mount for two screens

Black

D221E _____ up to **32"**

Screen diagonal	13" - 32"
Max load	up to 17.6 lbs (x2)
VESA	75x75, 100x100
Tilt	-45° ~ +45°
Swivel	-90° ~ +90°
Distance from base	0 in - 15 in
Height adjustment	17.1 in



Desktop monitor mount

Black

D121E _____ up to **34"**

Screen diagonal	13" - 34"
Max load	up to 17.6 lbs
VESA	75x75, 100x100
Tilt	-45° ~ +45°
Swivel	180°
Distance from base	17.7 in
Height adjustment	17.1 in



Desktop monitor mount

Black

D101E

up to **34"**

Screen diagonal	13" - 34"
Max load	up to 17.6 lbs
VESA	75x75, 100x100
Tilt	-90° ~ +70°
Swivel	-45° ~ +45°
Distance from base	3.4 in
Height adjustment	16.9 in



D101E Black

Desktop mount
for 13"-34" screens



Desktop monitor stand for two screens

Black

D208FS _____ до **34"**

Screen diagonal	13" - 34"
Max load	up to 17.6 lbs (x2)
VESA	75x75, 100x100
Tilt	-45° ~ +45°
Swivel	-90° ~ +90°
Distance from base	3.4 in
Pole height	35.6 in



Desktop monitor stand

Black

D101FS _____ до **34"**

Screen diagonal	13" - 34"
Max load	up to 17.6 lbs
VESA	75x75, 100x100
Tilt	-45° ~ +45°
Swivel	-90° ~ +90°
Distance from base	3.4 in
Pole height	16.9 in



Universal mount for Mini PC



A3N

Max load	11 lbs
VESA	50x50, 75x75, 100x100
Device thickness	0.6 in – 2.7 in
Kit contains	Additional strap

A3N Black

Universal mount for Mini PC
Compatible with VESA monitors



UM7 Black | Tilting wall mount
for 50"-85" TVs

Wall mounts for TVs

The most popular type of TV mounts which has become an inseparable part of everyday life.



M7L White | Full-motion wall mount
for 40"-75" TVs

Full-motion mounts

Wall mounts with wide adjustment possibilities that make it possible to watch TV comfortably from practically any point of the living space.

New



Full-motion wall mount for TVs

Black

M8L _____ up to 110"

Screen diagonal	42" - 110"
Max load	220 lbs
VESA	200x200 - 800x500
Tilt	-5° ~ +15°
Swivel	-90° ~ +90°
Distance from wall	40.6 in
Screen rotation	-90° ~ 0°

Bestseller



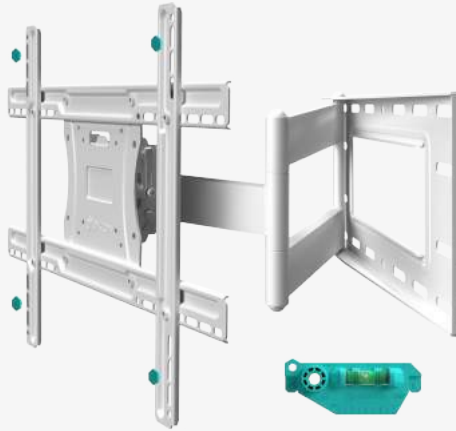
Full-motion wall mount for TVs

Black

M7L _____ up to 75"

Screen diagonal	40" - 75"
Max load	150 lbs
VESA	100x100 - 600x400
Tilt	-5° ~ +15°
Swivel	180°
Distance from wall	4.3 in - 28 in

New



Full-motion wall mount for TVs

White

M7L _____ up to **75"**

Screen diagonal	40" - 75"
Max load	150 lbs
VESA	100x100 - 600x400
Tilt	-5° ~ +15°
Swivel	180°
Distance from wall	4.3 in - 28 in



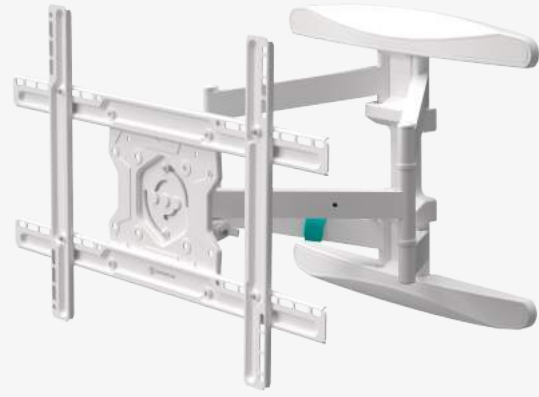
Full-motion wall mount for TVs

White & Black

M7L _____ up to **75"**

Screen diagonal	40" - 75"
Max load	150 lbs
VESA	100x100 - 600x400
Tilt	-5° ~ +15°
Swivel	180°
Distance from wall	4.3 in - 28 in

Bestseller



Full-motion wall mount for TVs

Full-motion wall mount for TVs

Black

M6L _____ up to **100"**

Screen diagonal	40" - 100"
Max load	132.2 lbs
VESA	200x100 - 600x400
Tilt	-5° ~ +8°
Swivel	180°
Level adjustment	-4° ~ +4°
Distance from wall	2.1 in - 19.6 in

White

M6L _____ up to **100"**

Screen diagonal	40" - 100"
Max load	132.2 lbs
VESA	200x100 - 600x400
Tilt	-5° ~ +8°
Swivel	180°
Level adjustment	-4° ~ +4°
Distance from wall	2.1 in - 19.6 in

New



Full-motion wall mount for TVs

Black

NP47 --- up to 75"

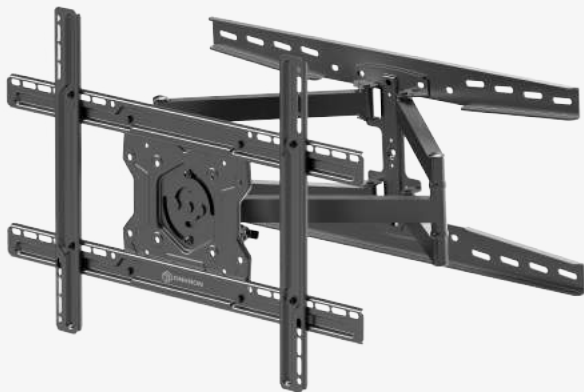
Screen diagonal	40" - 75"
Max load	77 lbs
VESA	100x100 - 600x400
Tilt	-5° ~ +20°
Swivel	180°
Screen rotation	-95° ~ +5°
Distance from wall	2.5 in - 27.8 in



NP47 Black

Full-motion wall mount
for 40"-75" TVs

Bestseller

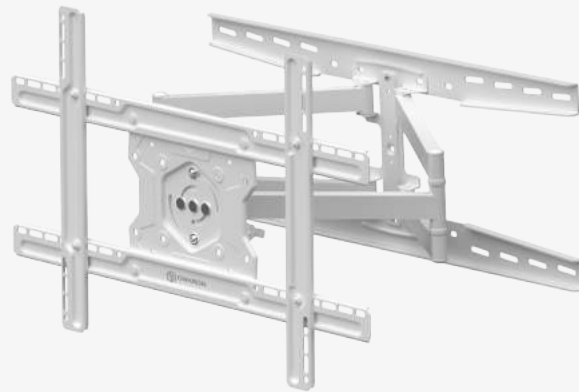


Full-motion wall mount for TVs

Black

M5 _____ up to **70"**

Screen diagonal	37" - 70"
Max load	88 lbs
VESA	100x100 - 600x400
Tilt	-5° ~ +20°
Swivel	180°
Screen rotation	-95° ~ +5°
Distance from wall	1.6 in - 17.7 in

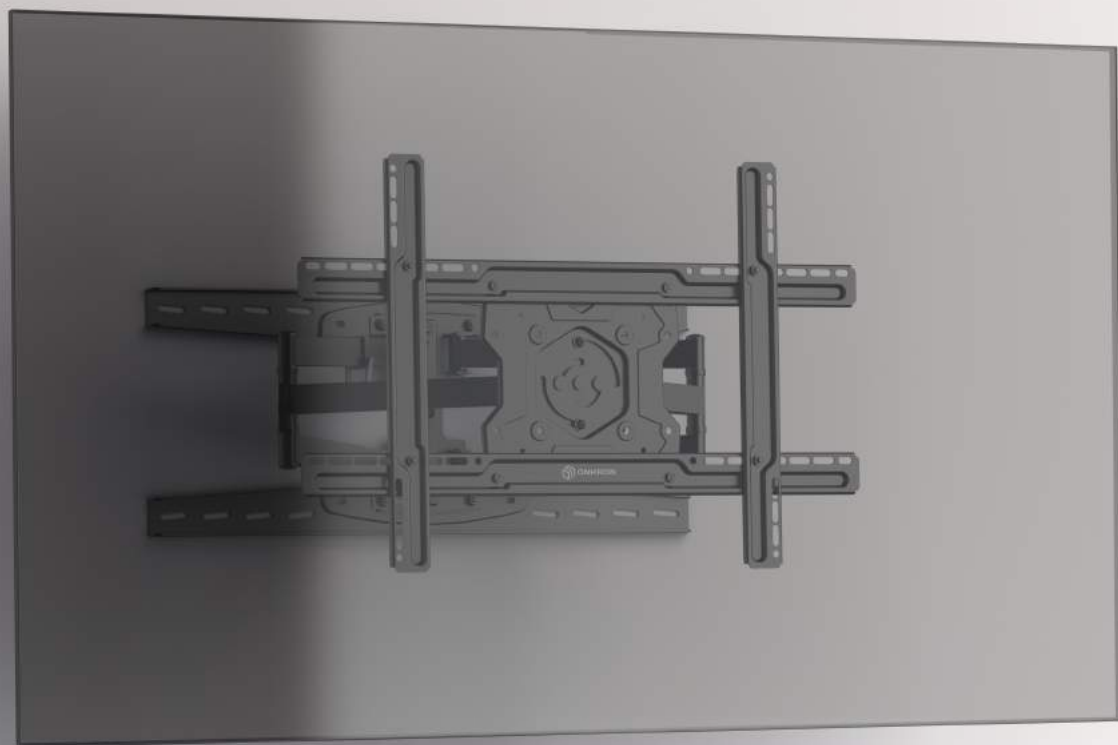


Full-motion wall mount for TVs

White

M5 _____ up to **70"**

Screen diagonal	37" - 70"
Max load	88 lbs
VESA	100x100 - 600x400
Tilt	-5° ~ +20°
Swivel	180°
Screen rotation	-95° ~ +5°
Distance from wall	1.6 in - 17.7 in



M5 Black | Full-motion wall mount
for 37"-70" TVs

New



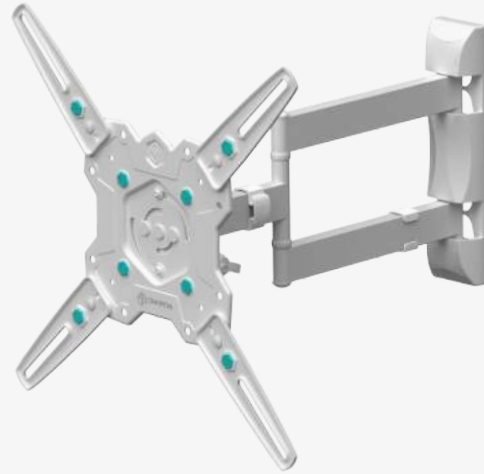
Full-motion wall mount for TVs

Black

M4 _____ up to **65"**

Screen diagonal	32" - 65"
Max load	77 lbs
VESA	100x100 - 400x400
Tilt	-5° ~ +20°
Swivel	180°
Screen rotation	-95° ~ +5°
Distance from wall	1.7 in - 19.4 in

New



Full-motion wall mount for TVs

White

M4 _____ up to **65"**

Screen diagonal	32" - 65"
Max load	77 lbs
VESA	100x100 - 400x400
Tilt	-5° ~ +20°
Swivel	180°
Screen rotation	-95° ~ +5°
Distance from wall	1.7 in - 19.4 in

New



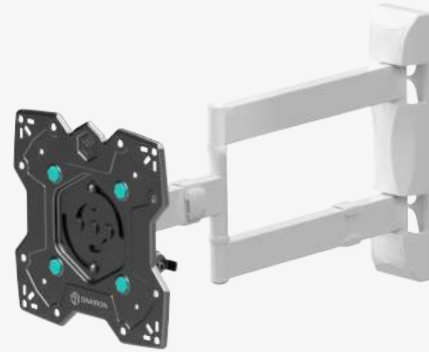
Full-motion wall mount for TVs

Black

M4S _____ up to **43"**

Screen diagonal	17" - 43"
Max load	77 lbs
VESA	100x100 - 200x200
Tilt	-5° ~ +20°
Swivel	180°
Screen rotation	-95° ~ +5°
Distance from wall	2.3 in - 19.3 in

New



Full-motion wall mount for TVs

White & Black

M4S _____ up to **43"**

Screen diagonal	17" - 43"
Max load	77 lbs
VESA	100x100 - 200x200
Tilt	-5° ~ +20°
Swivel	180°
Screen rotation	-95° ~ +5°
Distance from wall	2.3 in - 19.3 in

New



Full-motion wall mount for TVs

Black

M2 _____ up to 65"

Screen diagonal	26" - 65"
Max load	77 lbs
VESA	100x100 - 400x400
Tilt	-5° ~ +20°
Swivel	180°
Screen rotation	-95° ~ +5°
Distance from wall	1.5 in - 8.2 in

New

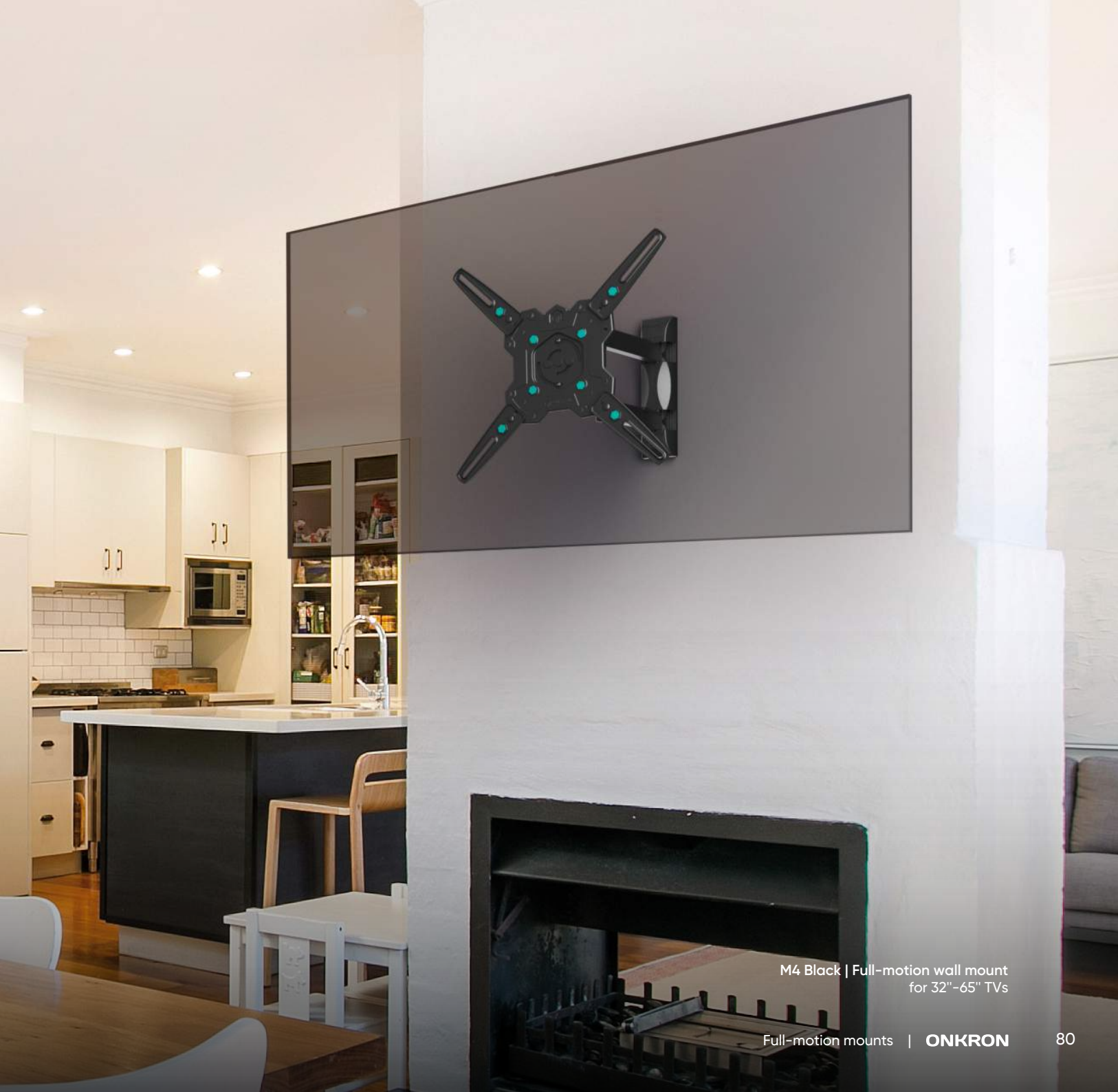


Full-motion wall mount for TVs

Black

M2S _____ up to 43"

Screen diagonal	17" - 43"
Max load	77 lbs
VESA	100x100 - 200x200
Tilt	-5° ~ +20°
Swivel	180°
Screen rotation	-95° ~ +5°
Distance from wall	1.3 in - 8 in

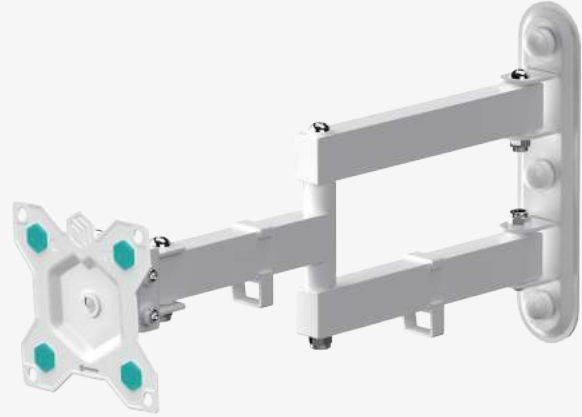


M4 Black | Full-motion wall mount
for 32"-65" TVs

New



New



Full-motion wall mount for TVs and monitors

Full-motion wall mount for TVs and monitors

Black

R4 _____ up to **35"**

Screen diagonal	10" - 35"
Max load	44 lbs
VESA	75x75 - 100x100
Tilt	-8° ~ +8°
Swivel	180°
Distance from wall	3.1 in - 16.3 in
Screen rotation	360°

White

R4 _____ up to **35"**

Screen diagonal	10" - 35"
Max load	44 lbs
VESA	75x75 - 100x100
Tilt	-8° ~ +8°
Swivel	180°
Distance from wall	3.1 in - 16.3 in
Screen rotation	360°

New



Full-motion wall mount for TVs and monitors

Black

R3 _____ up to **35"**

Screen diagonal	10" - 35"
Max load	44 lbs
VESA	75x75 - 100x100
Tilt	-8° ~ +8°
Swivel	45°
Distance from wall	3.5 in
Screen rotation	360°



R3 Black

Full-motion wall mount
for 10"-35" TVs and monitors

New



Full-motion wall mount for TVs and monitors

Black

R2 _____ up to **35"**

Screen diagonal	10" - 35"
Max load	44 lbs
VESA	75x75 - 100x100
Tilt	-8° ~ +8°
Swivel	180°
Distance from wall	3.1 in - 8.6 in
Screen rotation	360°

New



Full-motion wall mount for TVs and monitors

White

R2 _____ up to **35"**

Screen diagonal	10" - 35"
Max load	44 lbs
VESA	75x75 - 100x100
Tilt	-8° ~ +8°
Swivel	180°
Distance from wall	3.1 in - 8.6 in
Screen rotation	360°



R2 White | Full-motion wall mount
for 10"-35" TVs and monitors

Full-motion mounts | **ONKRON**



G150 Black | Wall mount
for 13"-34" TVs and monitors

Adaptive

Gas spring wall mounts with wide viewing angle and height adjustment capabilities.



Wall mount for TVs and monitors

Black

G120 _____ up to 34"

Screen diagonal	13" - 34"
Max load	2.2 lbs - 34 lbs
VESA	75x75 - 100x100
Tilt	-35° ~ +35°
Swivel	180°
Distance from wall	3.9 in - 14.2 in
Height adjustment	11 in



Wall mount for TVs and monitors

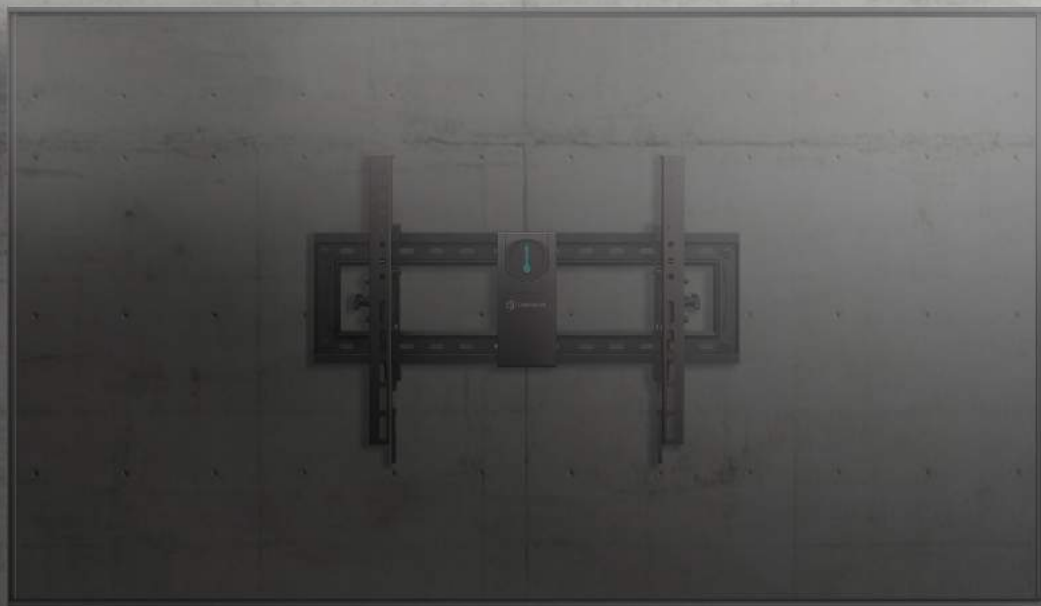
Black

G150 _____ up to 34"

Screen diagonal	13" - 34"
Max load	2.2 lbs - 34 lbs
VESA	75x75 - 100x100
Tilt	-35° ~ +35°
Swivel	180°
Distance from wall	3.9 in - 20.5 in
Height adjustment	11 in



G120 Black | Wall mount
for 13"-34" TVs and monitors

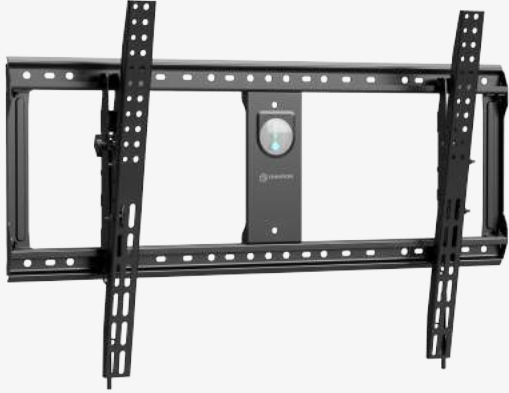


UM7 Black | Tilting wall mount
for 50"-85" TVs

Tilting wall mounts

Wall mounts with a tilting system that provides easy adjustment of the viewing angle. You can watch TV sitting in a chair or lying on a sofa.

New

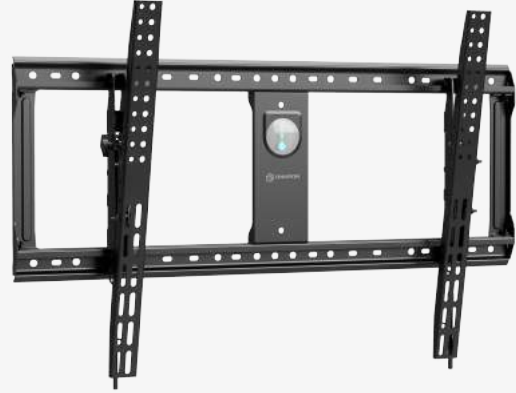


Tilting wall mount for TVs

Black

UT10 _____ up to **110"**

Screen diagonal	60" - 110"
Max load	220 lbs
VESA	200x200 - 800x600
Tilt	-5° ~ +10°
Distance from wall	3 in

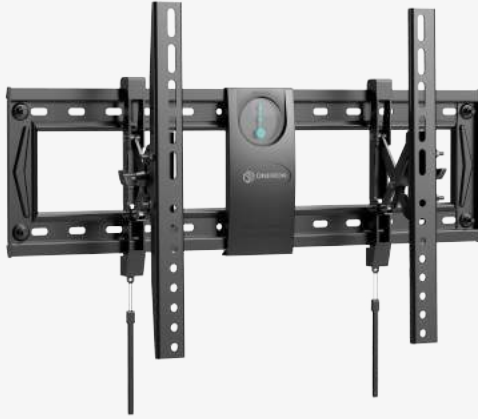


Tilting wall mount for TVs

Black

UT9 _____ up to **100"**

Screen diagonal	65" - 100"
Max load	200 lbs
VESA	200x200 - 800x600
Tilt	-5° ~ +10°
Distance from wall	3 in

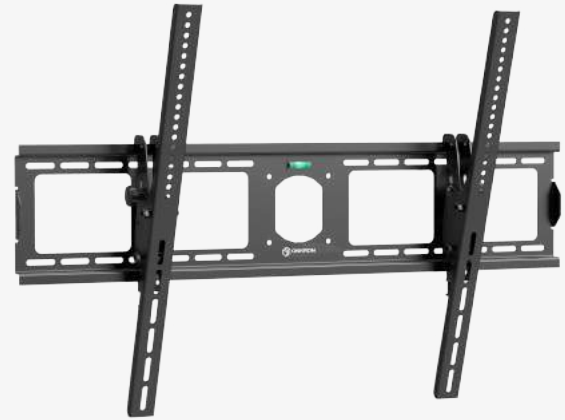


Tilting wall mount for TVs

Black

UM7 _____ up to **85"**

Screen diagonal	50" - 85"
Max load	150 lbs
VESA	200x200 - 600x400
Tilt	-8° ~ +8°
Distance from wall	2.5 in - 5.1 in



Tilting wall mount for TVs

Black

UT4 _____ up to **100"**

Screen diagonal	55" - 100"
Max load	165 lbs
VESA	75x75 - 800x600
Tilt	0° ~ +15°
Distance from wall	3 in - 7.4 in

Bestseller



Tilting wall mount for TVs

Black

TM6 _____ up to 85"

Screen diagonal	43" - 85"
Max load	150 lbs
VESA	75x75 - 600x400
Tilt	0° ~ +12°
Distance from wall	1.3 in - 5.7 in



Tilting wall mount for TVs

Black

TM5 _____ up to 70"

Screen diagonal	32" - 70"
Max load	132 lbs
VESA	75x75 - 400x400
Tilt	0° ~ +12°
Distance from wall	1.3 in - 5.7 in

New



Tilting wall mount for TVs

White

TM5 _____ up to **70"**

Screen diagonal	32" - 70"
Max load	132 lbs
VESA	75x75 - 400x400
Tilt	0° ~ +12°
Distance from wall	1.3 in - 5.7 in



Tilting wall mount for TVs

White & Black

TM5 _____ up to **70"**

Screen diagonal	32" - 70"
Max load	132 lbs
VESA	75x75 - 400x400
Tilt	0° ~ +12°
Distance from wall	1.3 in - 5.7 in



Tilting wall mount for TVs

Black

TM4 _____ up to **43"**

Screen diagonal	17" - 43"
Max load	80 lbs
VESA	75x75 - 200x200
Tilt	0° ~ +12°
Distance from wall	1.3 in - 4.1 in



TM4 Black | Tilting wall mount
for 17"-43" TVs

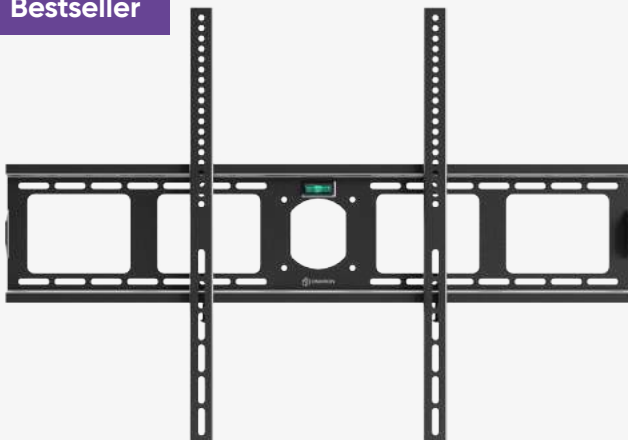


UF4 Black | Fixed wall mount for TVs
for 55"-100" TVs

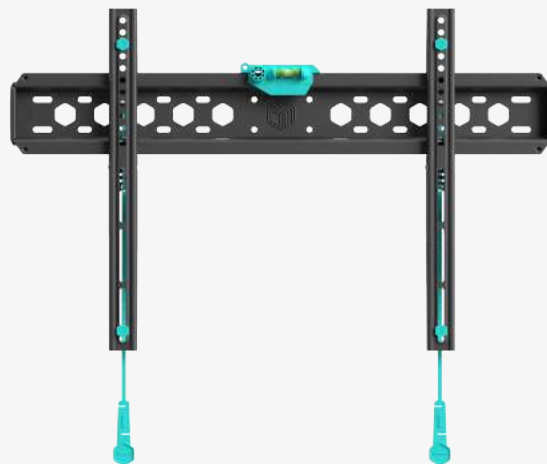
Fixed wall mounts

Mounts that offer a fixed viewing angle.
Thin profile renders them almost invisible.

Bestseller



Fixed wall mount for TVs



Fixed wall mount for TVs

Black

UF4 _____ up to **100"**

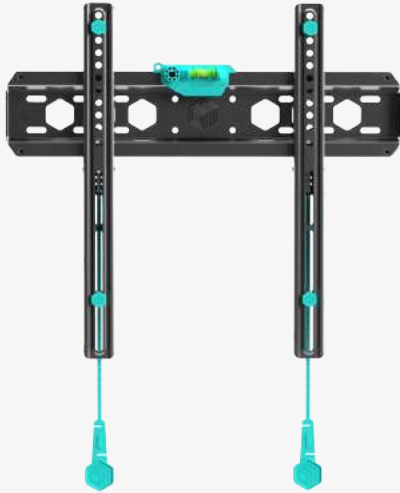
Screen diagonal	55" - 100"
Max load	165 lbs
VESA	75x75 - 800x600
Distance from wall	1.3 in

Black

FM6 _____ up to **85"**

Screen diagonal	43" - 85"
Max load	150 lbs
VESA	75x75 - 600x400
Distance from wall	1.1 in

Bestseller

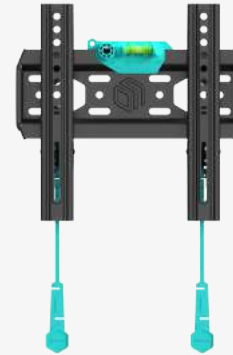


Fixed wall mount for TVs

Black

FM5 _____ up to **65"**

Screen diagonal	32" - 65"
Max load	123 lbs
VESA	75x75 - 400x400
Distance from wall	1.1 in



Fixed wall mount for TVs

Black

FM1 _____ up to **43"**

Screen diagonal	17" - 43"
Max load	66 lbs
VESA	75x75 - 200x200
Distance from wall	1.1 in

New



Fixed wall mount for TVs and monitors

Black

NN31 _____ up to **35"**

Screen diagonal 10" – 35"

10" – 35"

Max load

44 lbs

VESA

75x75 – 100x100

Screen rotation

360°

Distance from wall

0.5 in



NN31 Black | Fixed wall mount
for 10"-35" TVs and monitors



N4L Black | Ceiling mount with a box for an AV splitter
for two 40"-80" screens



Ceiling mounts

Free up space by mounting the TV on the ceiling. Height adjustment mechanism, tilt and swivel functions will ensure the best viewing angle.



Ceiling mount for two screens
with a box for an AV splitter

Black

N4L _____ up to 80"

Screen diagonal	40" - 80" (x2)
Max load	123 lbs (x2)
VESA	200x100 - 800x500
Tilt	-5° ~ +15°
Distance from ceiling	40 in - 54.7 in

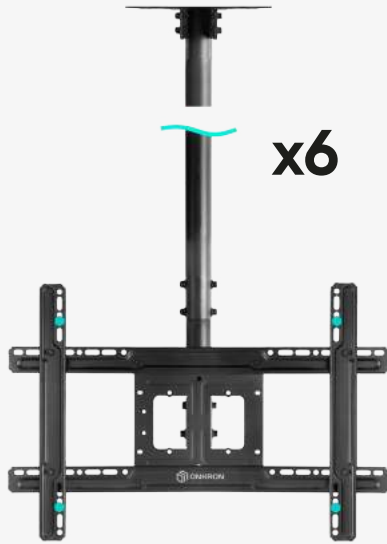


Ceiling mount for two screens

Black

N3L _____ up to 80"

Screen diagonal	40" - 80" (x2)
Max load	123 lbs (x2)
VESA	200x100 - 800x500
Tilt	-5° ~ +15°
Distance from ceiling	40 in - 54.7 in



Ceiling mount for TVs

Black
N2L _____ up to **80"**

Screen diagonal	32" - 80"
Max load	150 lbs
VESA	100x100 - 600x400
Tilt	-5° ~ +15°
Swivel	60°
Distance from ceiling	28.2 in - 122 in



Ceiling mount for TVs

Black
CR1S _____ up to **40"**

Screen diagonal	10" - 40"
Max load	66 lbs
VESA	75x75 - 100x100
Tilt	90°
Distance from ceiling	16.5 in
Height adjustment	7.6 in

Bestseller

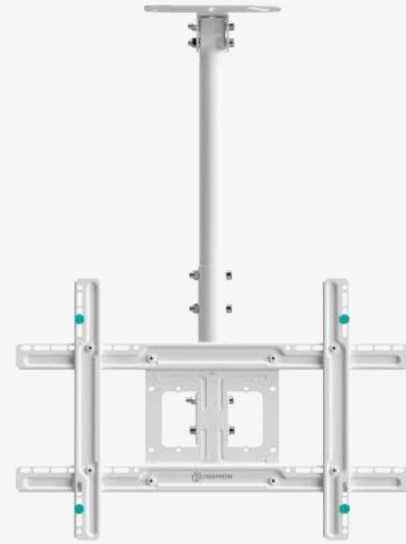


Ceiling mount for TVs

Black

N1L _____ **up to 80"**

Screen diagonal	32" - 80"
Max load	150 lbs
VESA	100x100 - 600x400
Tilt	-5° ~ +15°
Swivel	60°
Distance from ceiling	28.2 in - 62.3 in



Ceiling mount for TVs

White

N1L _____ **up to 80"**

Screen diagonal	32" - 80"
Max load	150 lbs
VESA	100x100 - 600x400
Tilt	-5° ~ +15°
Swivel	60°
Distance from ceiling	28.2 in - 62.3 in



N1L White | Ceiling mount
for 32"-80" TVs



LAE802-25 White
Height adjustable electric desk



Ergonomic tables

Products for the organization of an ergonomic workplace at home, in the office, public spaces, medical institutions.



LMG30 White
Height adjustable mobile desk station

Gas spring height adjustment

Desks with a gas spring height adjustment mechanism.

New



Height adjustable mobile desk station

White

LMG30

Max load	66 lbs
Recommended load	17.6 lbs
Height adjustment	31.4 in – 47.2 in
Mechanism	Gas spring
Material	Steel
Color	White



LMG30 White
Height adjustable mobile desk station



LAE1002-25 White
Height adjustable electric desk

Electric desks

Desks with an electric smooth height adjustment mechanism.

New



Electric height adjustable desk

White

LAE1002-40

Max load	220 lbs
Lift speed	0.6 – 1.5 in/sec
Height adjustment	24 in – 49.6 in
Width adjustment	39.7 in – 66.9 in
Desk base depth	22.6 in
Table top dims (max)	70.8 x 31.4 in
Mechanism	Electric
Material	Steel
Color	<input type="radio"/> <input checked="" type="radio"/> <input type="radio"/>

New



Electric height adjustable desk

White

LAE1002-25

Max load	220 lbs
Lift speed	0.6 – 1 in/sec
Height adjustment	27.5 in – 47.2 in
Width adjustment	39.7 in – 66.9 in
Desk base depth	22.6 in
Table top dims (max)	70.8 x 31.4 in
Mechanism	Electric
Material	Steel
Color	<input type="radio"/> <input checked="" type="radio"/> <input type="radio"/>

New



Electric height adjustable desk

White

LAE802-25

Max load	176 lbs
Lift speed	0.6 – 1 in/sec
Height adjustment	30.3 in – 48 in
Width adjustment	39.7 in
Desk base depth	20.4 in
Table top dims (max)	46.4 x 23.6 in
Mechanism	Electric
Material	Steel
Color	<input type="radio"/> <input type="radio"/> <input type="radio"/>



LAE802-25 White

Electric height adjustable desk

New



Electric height adjustable desk

White
LAE801-1010

Max load	176 lbs
Lift speed	0.6 – 1.5 in/sec
Height adjustment	24 in – 49.6 in
Table top dims (max)	39.3 x 39.3 in
Mechanism	Electric
Material	Steel
Color	<input type="radio"/> <input checked="" type="radio"/> <input type="radio"/>

New



Electric height adjustable desk

White
LAE801-86

Max load	176 lbs
Lift speed	0.6 – 1.5 in/sec
Height adjustment	24 in – 49.6 in
Table top dims (max)	31.4 x 23.6 in
Mechanism	Electric
Material	Steel
Color	<input type="radio"/> <input checked="" type="radio"/> <input type="radio"/>



LAE801-1010 White
Electric height adjustable desk

New



Electric height adjustable column

White / Silver / Black

LPE100-116

Max load	220 lbs
Lift speed	0.6 – 1 in/sec
Input voltage	24 VDC
Height adjustment	19.6 in – 45.6 in
Mechanism	Electric
Material	Steel
Color	<input type="radio"/> <input type="radio"/> <input type="radio"/>

New



Electric height adjustable column

White / Silver / Black

LPE80-116

Max load	176 lbs
Lift speed	0.6 – 1 in/sec
Input voltage	24 VDC
Height adjustment	19.6 in – 45.6 in
Mechanism	Electric
Material	Steel
Color	<input type="radio"/> <input type="radio"/> <input type="radio"/>

New



Electric height adjustable column

White / Silver / Black
LPE80-121

Max load	176 lbs
Lift speed	0.6 – 1.5 in/sec
Input voltage	24 VDC
Height adjustment	25.5 in – 47.6 in
Mechanism	Electric
Material	Steel
Color	<input type="radio"/> <input type="radio"/> <input type="radio"/>

New



Electric height adjustable column

White / Silver / Black
LPE80-122

Max load	176 lbs
Lift speed	0.6 – 1.5 in/sec
Input voltage	24 VDC
Height adjustment	25.5 in – 48.2 in
Mechanism	Electric
Material	Steel
Color	<input type="radio"/> <input type="radio"/> <input type="radio"/>

New

LPF-1



LPF-2



LPF-3



LPF-4



LPF-5



Legs for electric height adjustable desks

White/Silver/Black

LPF

LPF-1	27.5 x 2.7 x 0.7 in
LPF-2	26.7 x 3.1 x 1.1 in
LPF-3	26.3 x 3.1 x 0.7 in
LPF-4	23.6 (27.5) x 2.7 x 1.1
LPF-5	26.7 x 3.1 x 0.8 in

Material

Steel

Color



New

LCB-1



LCB-2



LCB-3



LCB-4



Adapters

Black

LCB

INput/OUTput/Backup*

LCB-1 for 1/2/3 columns	110-240 VAC / 24 VDC / < 1 W
LCB-2 for 1 column	100-240 VAC / 24 VDC / < 0.3 W
LCB-3 for 1/2 columns	100-240 VAC / 29 VDC / < 0.1 W
LCB-4 for 1/2 columns	100-240 VAC / 32 VDC / < 0.3 W

New

LHC-1



LHC-2



LHC-3



LHC-4



LHC-5



LHC-6



LHC-7



Control panels

Black

LHC

LHC-1	sensor
LHC-2	sensor / LED / 4 memory height preset options
LHC-3	sensor / LED
LHC-4	sensor / LED / 3 memory height preset options
LHC-5	sensor / LED / 3 memory height preset options / USB
LHC-6	button / LED / 3 memory height preset options / USB
LHC-7	button / LED / 4 memory height preset options / USB



FSPRO2L-22 Grey | Mobile 2x2 video wall stand
for four 40"-55" screens



Professional

ONKRON Professional series products

Space organization solutions (stands, mounts, desks, etc.) for various industries. Turnkey AV mounting solutions for healthcare providers, education complexes, transport hubs, security and surveillance systems, sports and entertainment venues. Seamless AV solutions for museums and art galleries, advertisers and HoReCa facilities designed to increase audience engagement.

New



Mobile 2x2 video wall stand
for four screens

Grey

FSPRO2L-22 up to 55"

Screen diagonal	40" - 55" (x4)
Max load	110 lbs (x4)
VESA	200x200 - 600x400



Floor stand for 9 screens

Grey

FSPRO1L-33 up to 26"

Screen diagonal	18" - 26" (x9)
Max load	22 lbs (x9)
VESA	75x75 - 100x100
VESA plate tilt	-30° ~ +30°
Bracket tilt	-30° ~ +30°
VESA plate swivel	-20° ~ +20°
Side arms swivel	90°
Height adjustment	0 - 82.9 in
Material	Aluminum, steel
Screen rotation	90°

New



Floor stand for two screens
front and back

Black

FPRO2L-20 up to 70"

Screen diagonal	40" - 70" (x2)
Max load	100 lbs (x2)
VESA	100x100 - 400x600
Height adjustment	53.1 in - 64.9 in
Material	Steel
Stand height	66.9 in



FPRO2L-20 Black

Floor stand for two 40"-70" screens
front and back



Ceiling mount for 4 screens



Ceiling mount for 3 screens

Black

CPRO2L-4

up to **55"**

Screen diagonal	32" - 55" (x4)
Max load	77 lbs (x4)
VESA	100x100 - 600x400
Tilt	-7.5° ~ +4°
Swivel	90°
Rotation	360°
Distance from ceiling	56.2 in - 85.8 in

Black

CPRO2L-3

up to **63"**

Screen diagonal	32" - 63" (x3)
Max load	100 lbs (x3)
VESA	200x200 - 600x400
Tilt	-15° ~ +5°
Swivel	90°
Rotation	360°
Distance from ceiling	56.2 in



CPRO2L-3 Black | Ceiling mount
for three 32"-63" screens



Wall mounting solution for video walls



Wall mounting solution for video walls

Black

PRO7G _____ up to 70"

Screen diagonal	50" - 70"
Max load	110 lbs
VESA	75x75 - 600x600
Distance from wall	2.9 in - 11.2 in
Mechanism	Gas spring

Black

PRO7M _____ up to 70"

Screen diagonal	40" - 70"
Max load	100 lbs
VESA	75x75 - 600x400
Distance from wall	2.7 in - 10.6 in
Mechanism	Mechanical spring

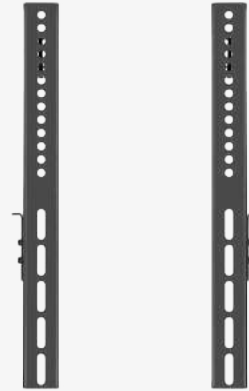


Adjustable rails for video walls

Black

AAV-1

Max load	41 lbs
VESA	200x200, 400x400
Fine adjustment	0.75 in (height) / 2.5-3.4 in (depth)

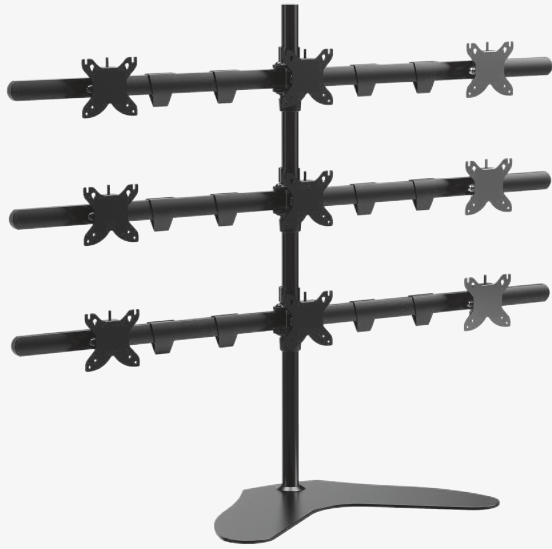


Fixed rails for video walls

Black

FAV-1

Max load	41 lbs
VESA	200x200 - 400x400
Distance from wall	2.5 in



Desk monitor stand for 9 screens



Desk monitor mount for 4 screens

Black

D921FS _____ up to 24"

Screen diagonal	20" - 24" (x9)
Max load	22 lbs (x9)
VESA	75x75 - 100x100
Tilt	-12° ~ +12°
Swivel	18°

Black

D421E _____ up to 34"

Screen diagonal	12" - 34" (x4)
Max load	17.6 lbs (x4)
VESA	75x75, 100x100
Tilt	-45° ~ +45°
Swivel	180°
Distance from base	0 - 14 in
Height adjustment	8.6 - 17.3 in



D921FS Black | Desk monitor stand
for nine 20"-24" screens

(315) 968-2278 | info@onkron.us



